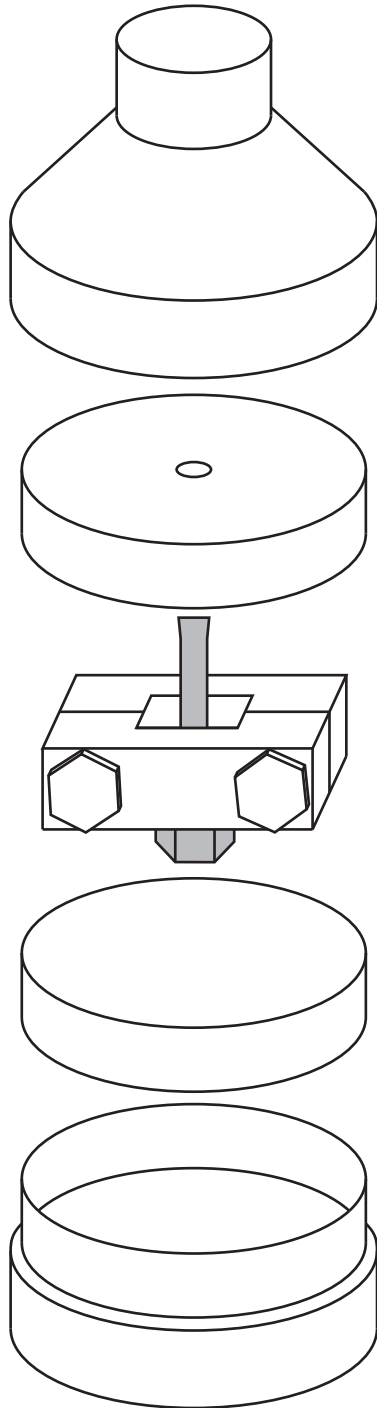


Advanced Diffusion Sample Packing Instructions

1.



The provided shipping containers prevent damage to the sample while making use of old tritium collection bottles. To pack your sample:

1. Assemble as shown placing the sample and clamp between the two pieces of foam. Ensure that the sample tip goes through the hole in the upper piece of foam.
2. Tape the container together with electrical or similar tape.

2.

